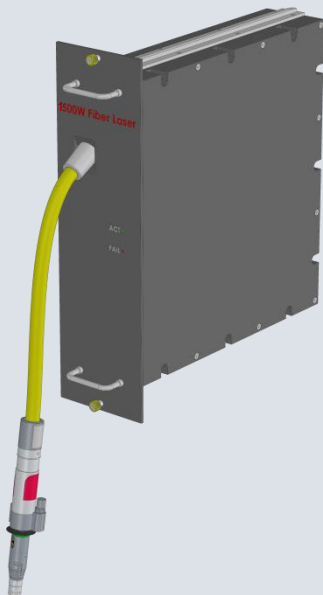


Optical Fiber Laser

CW Fiber Laser(1080nm) OFL-CYM Series

The LiComm OFL-CYM series is a 1080nm High Power Fiber Laser module with a driving and control circuitry packaged inside. The OFL-CYM series lasers offer very high Beam quality and stable output power up to Mean Optical Power 1.5kW. Compact size (400 x 560 X 73 mm), combined with extremely low power consumption, allows the OFL-CYM series to be highly suitable for applications such as Welding, Cutting, Marking and more.



Features

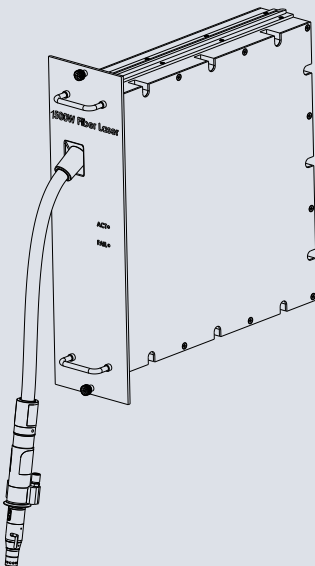
- Compact size (400 x 560 x 73mm)
- Laser module including electric control circuit
- High output power up to mean power 1.5kW
- Excellent beam quality: BPP < 1.5 mm mrad
- Wide input dynamic range
- APC (Automatic Power Control) or ACC (Automatic Current Control)
- Control & monitor by RS232
- TTL Alarm
- Single +53V power supply

Applications

- Welding
- Cutting
- Marking

Optical Fiber Laser CW Fiber Laser

Mechanical Dimension
 (400 X 560 X 73mm)



Optical Characteristics

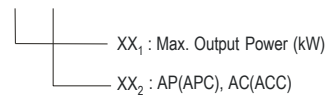
Parameter	Symbol	OFL-CYM-15AP	Unit
Laser Wavelength	λ	Typ. 1080	nm
Laser Output power	P_{OUT}	Max. 1.5	kW
Beam Parameter Product	BPP	<1.5	mm mrad
Output Power Stability	P_{STA}	Max. 5	%
Laser Output Termination		QBH	

Electric & Environmental Characteristics

Parameter	Typical Value
Power Supply Voltage	53V
Interface	RS232
Alarm	TTL
Operating Case Temperature	10~ 45°C
Storage Temperature	- 40 ~ 85°C
Storage Humidity	5 ~ 90% R.H
Power Consumption	Max. 6kW

Ordering Information

OFL - CYM - XX₁XX₂



LiComm Co., Ltd.

Address

109, Baekja-ro Idong-myeon, Cheoin-gu, Yongin-Si,
 Gyeonggi-Do, 17126, Korea

Tel: +82-31-323-1926,1936 Fax: +82-31-323-2447

E-mail: sale@licomm.com Website : www.licomm.com