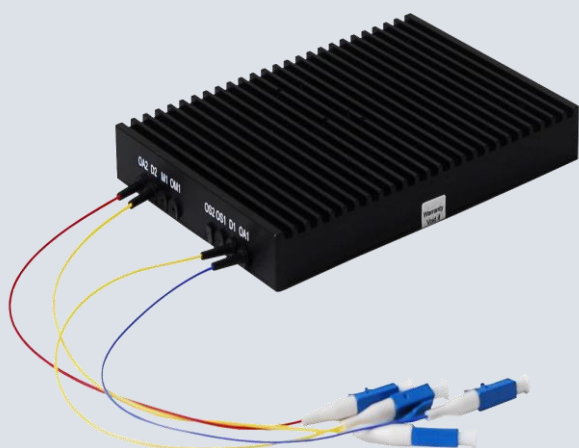


Raman Amplifier

Self-AGC C-band Raman ORA-BCM-AG Series



The LiComm ORA-BCM-AG series are designed for use in ultra-long haul, long haul and wide bandwidth DWDM system of core networks and metropolitan networks. The standard ORA-BCM-AG series offer flat gain bandwidth over C-band. L-band or any alternative wavelengths are possible for specific application. These provide high output pump power using wavelength-combining high power 14xx(nm) pump laser diodes and integrated pump/signal multiplexer with optical output monitor for easy operation. The GUI can be supported to control Raman amplification pump unit for optimizing the ORA-BCM-AG. The ORA-BCM-AG series do not effect on polarization and monitor the optical pump power.

Features

- All Self Control AGC
- Support Self Learning Mode for strange transmission fiber
- Support 3 types of transmission fibers (SMF-28, Leaf, Truewave)
- Compact Size
- Ultra Wide Input Dynamic Range
- Variable Gain and Gain Tilt Control
- Integrated pump/signal multiplexer
- Low effective noise figure
- Incorporate polarization
- Optical pump power monitor
- User friendly controlled interface

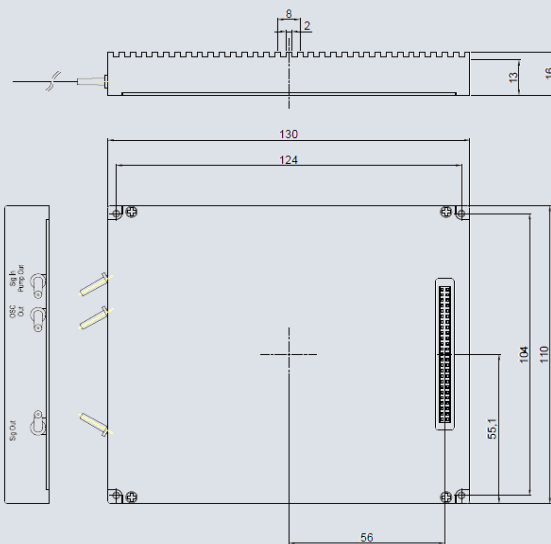
Applications

- Ultra-long haul DWDM systems
- Long haul systems
- 10 Gb/s & 40 Gb/s transmission systems
- High channel count systems
- Increased length of spans between signal regeneration
- Remote amplifier pumping

Optical Fiber Amplifier

Self AGC C-band Raman

Mechanical Dimension (110 X 130 X 16 mm)



Optical Characteristics

Parameter	Symbol	ORA-BCM-08AG	Unit
Signal wavelength range	λ	1528 ~ 1563	nm
Pump output power	P_{OUT}	800	mW
Number of pumps	P_N	2	ea
Gain flatness	ΔG	1.2	dB
Insertion loss	L	<1.2	dB
Pump degree of polarization	PDP	<7	%
Polarization dependent loss	PDL	<0.2	dB
Raman gain in SMF28	G_S	10	dB
Raman gain in LEAF ⁽¹⁾	G_A	12	dB
Raman gain in TW-RS ⁽²⁾	G_T	14	dB
Effective noise figure in SMF28	NF_S	<-0.7	dB
Effective noise figure in LEAF	NF_A	<-1.2	dB
Effective noise figure in TW-RS	NF_T	<-1.2	dB

(1) LEAF fiber (2) True wave reduced slope

Electric & Environmental Characteristics

Parameter	Typical Value
Power supply voltage	DC+5.0 V
Interface	RS232
Operating temperature	0 ~ 50 °C
Storage temperature	- 40 ~ 85 °C
Storage humidity	10 ~ 85 % R.H
Power consumption*	15 W

*Pump output power = 1000 mW, at 25 °C

Ordering Information

ORA - BXM - XX,AG

\swarrow C : C-band
 \swarrow L : L-band
 \swarrow F : C+L-band

 \swarrow XX₁ Maximum Pump Output (100 mW)

LiComm Co., Ltd.

Address

109, Baekja-ro Idong-myeon, Cheoin-gu, Yongin-Si,
Gyeonggi-Do, 17126, Korea

Tel: +82-31-323-1926, 1936 Fax: +82-31-323-2447

E-mail: sale@licomm.com Website : www.licomm.com