

Handy Compact Spectrum Analyzer

The LiComm HCSA-C series are very compact optical spectrum analyzer in C-band optical communication windows. It also can be used personal handy optical spectrum analyzer in the optical communication field. This module provides attractive solution of performance and cost in physical layer monitoring for provisioning and debugging optical networks. It can measure the optical power, wavelength and OSNR simultaneously for multi-channel sources. It reduces the measurement time and increases the efficiency of field test by hand-held and compact size.



Features

- Wavelength range over C-band in optical communication window
- Excellent wavelength measurement accuracy
- High sensitivity
- High dynamic range
- Low noise floor
- Fast scan speed
- No need wavelength calibration

Applications

- Channel equalization of DWDM systems based on optical power or OSNR
- Optical add/drop monitoring
- Real-time optical channel monitoring of optical networks
- Physical layer monitoring for provisioning and debugging optical networks
- OEM module for field test equipment application

Optical Characteristics

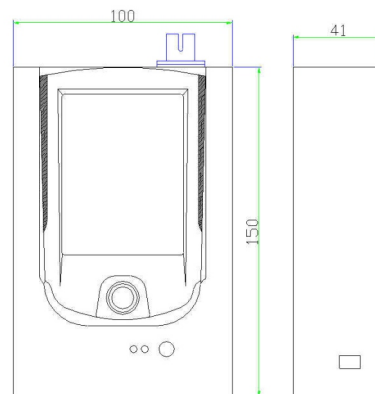
Parameter	Symbol	Min	Typ	Max	Unit
Wavelength range	λ	1525	-	1565	nm
Wavelength accuracy		-50	-	50	pm
Power repeatability		-0.5	-	0.5	dB
Input power range ¹⁾		-35	-	0	dBm
Noise floor		-	-60	-	dBm
Dynamic range		-	35	-	dB
Minimum channel spacing		25	-	-	GHz
OSNR(@100GHz spacing)		-	-	25	dB

Note 1) This condition is single wavelength input power.

Electrical & Environmental

Parameter	Typical value
Power supply	Lithium-Ion battery : 3.7V 900mAh
Battery Life Time	90min
Operating temperature	10 ~ 40 °C
Storage temperature	-20 ~ 60 °C
Storage humidity	0 ~ 95% R.H

Mechanical Dimension (150 X 100 X 41 mm)



Ordering Information

HCSA - C

LiComm Co., Ltd. www.licomm.com
 Cheongmyung Towntel 3F
 1021-4 Yeongtong-Dong, Yeongtong-Gu, Suwon-Si, Kyunggi-Do, 442-813, South Korea
 Tel : +82-31-206-6823 Fax : +82-31-206-6827

USA Branch Offices : Tel +1-732-526-7019 Fax +1-214-889-7272
Japan Branch Offices : Tel +81-90-2549-4982 Fax +81-3-3465-0685

HCSA